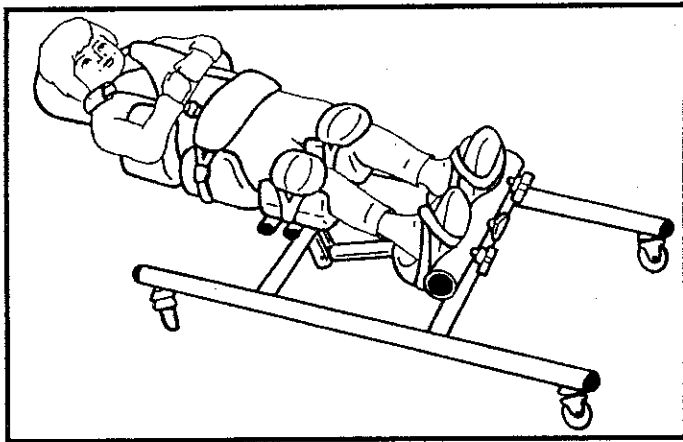
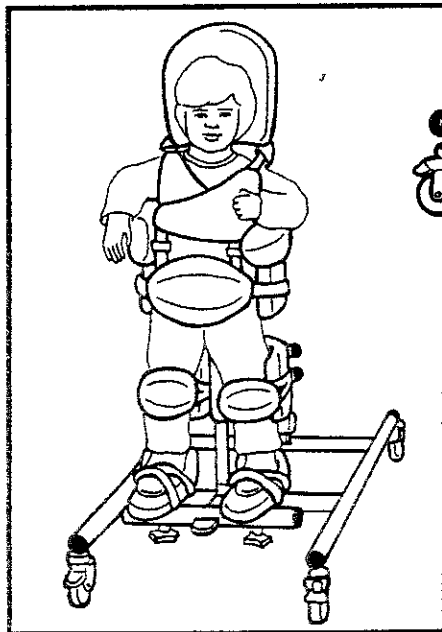


**Tumble  
Forms<sup>2</sup>**  
With Anti-Microbial  
Protection

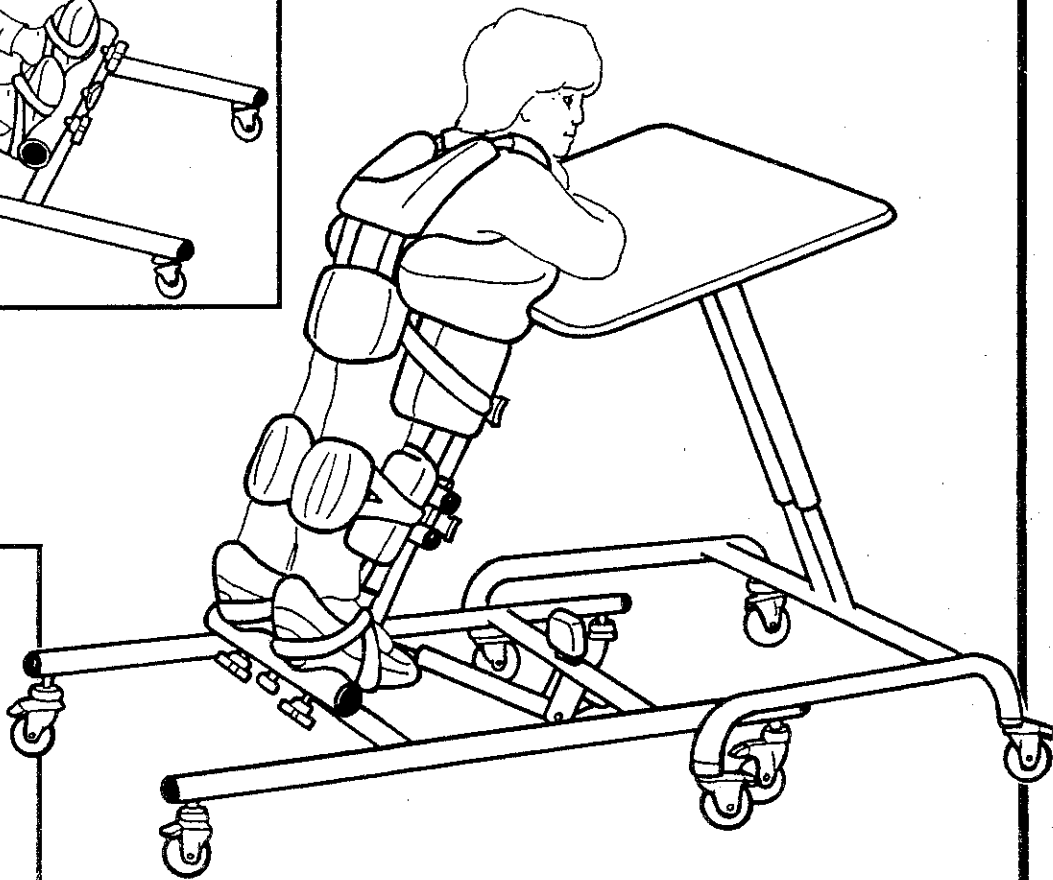
**Tristander<sup>TM</sup>**



**Supine**



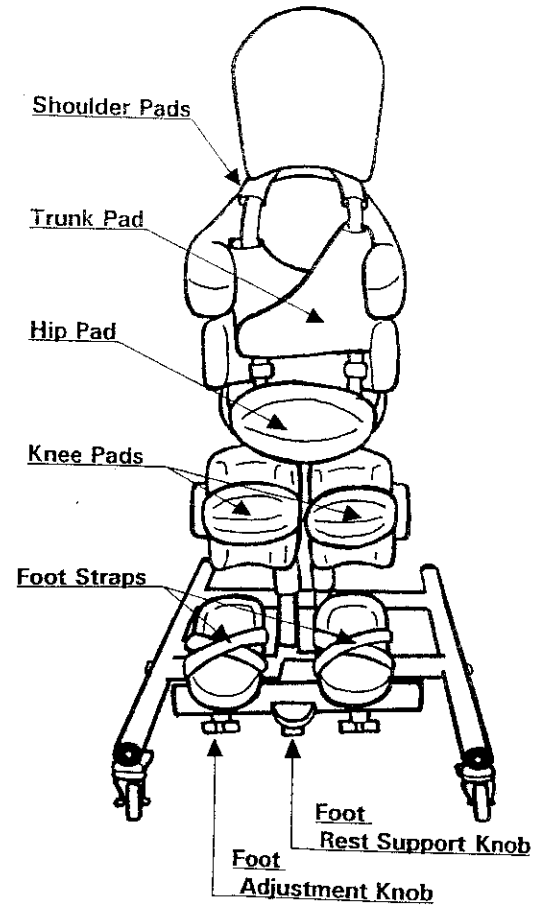
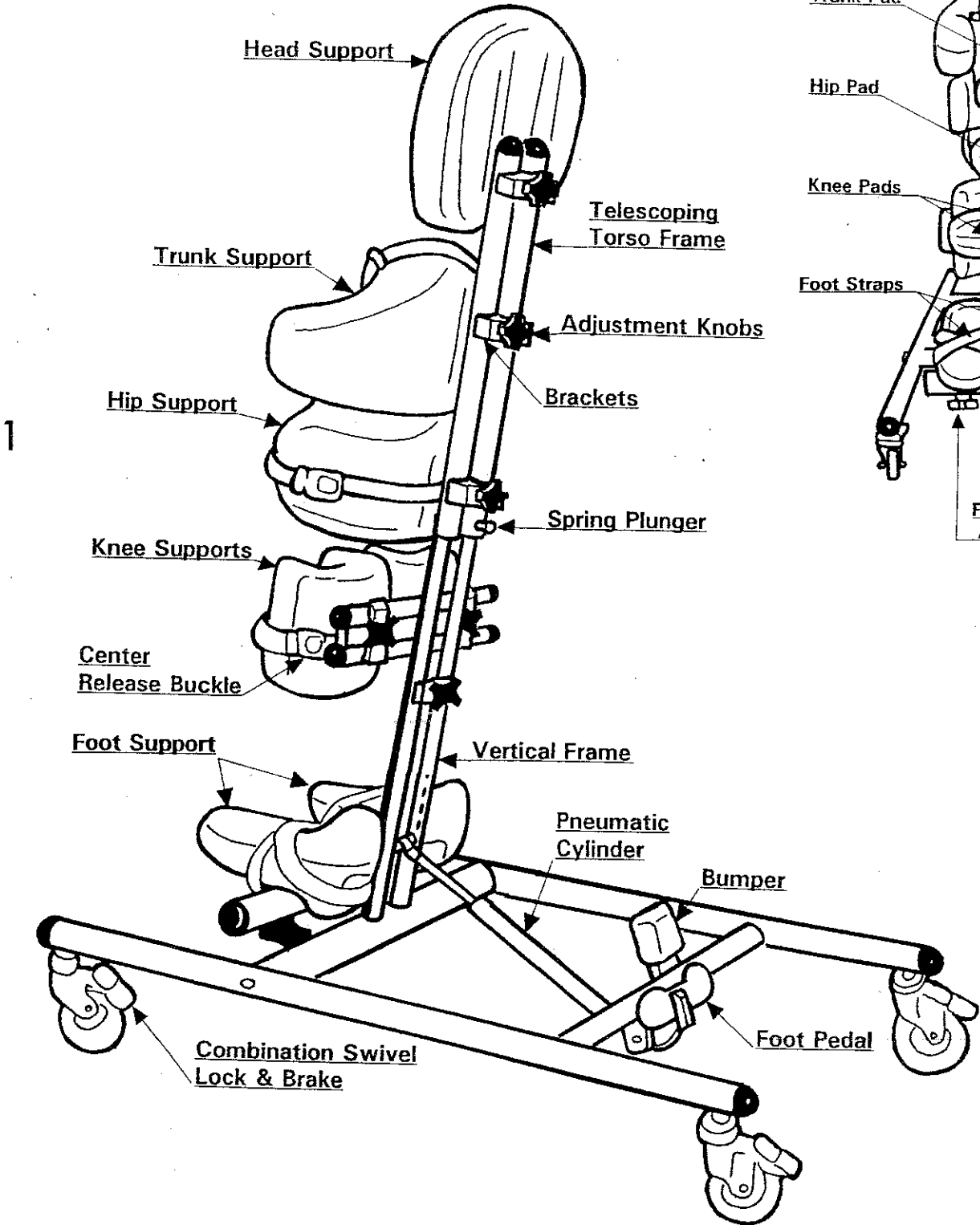
**Vertical**



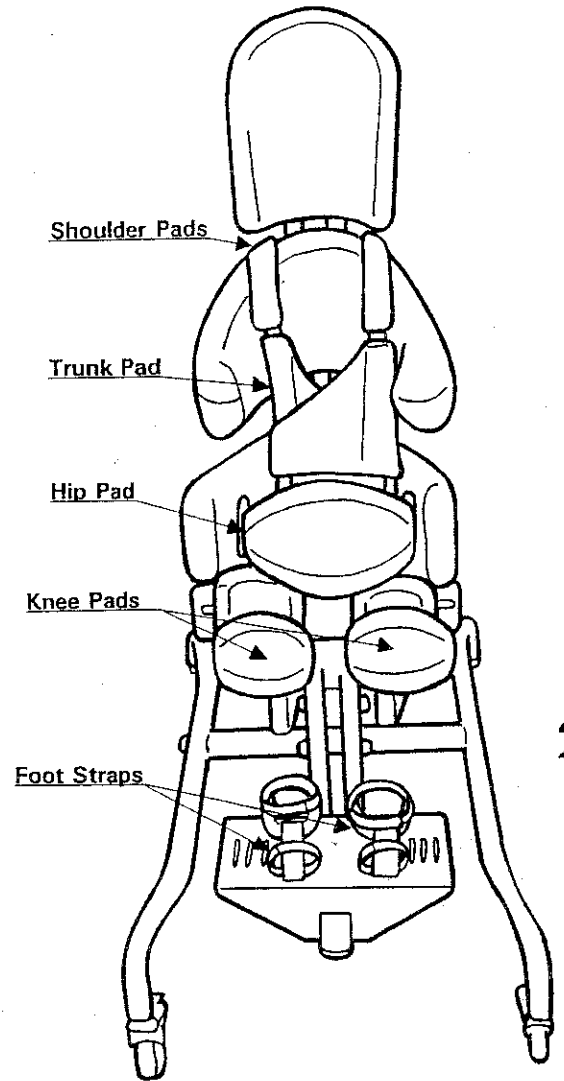
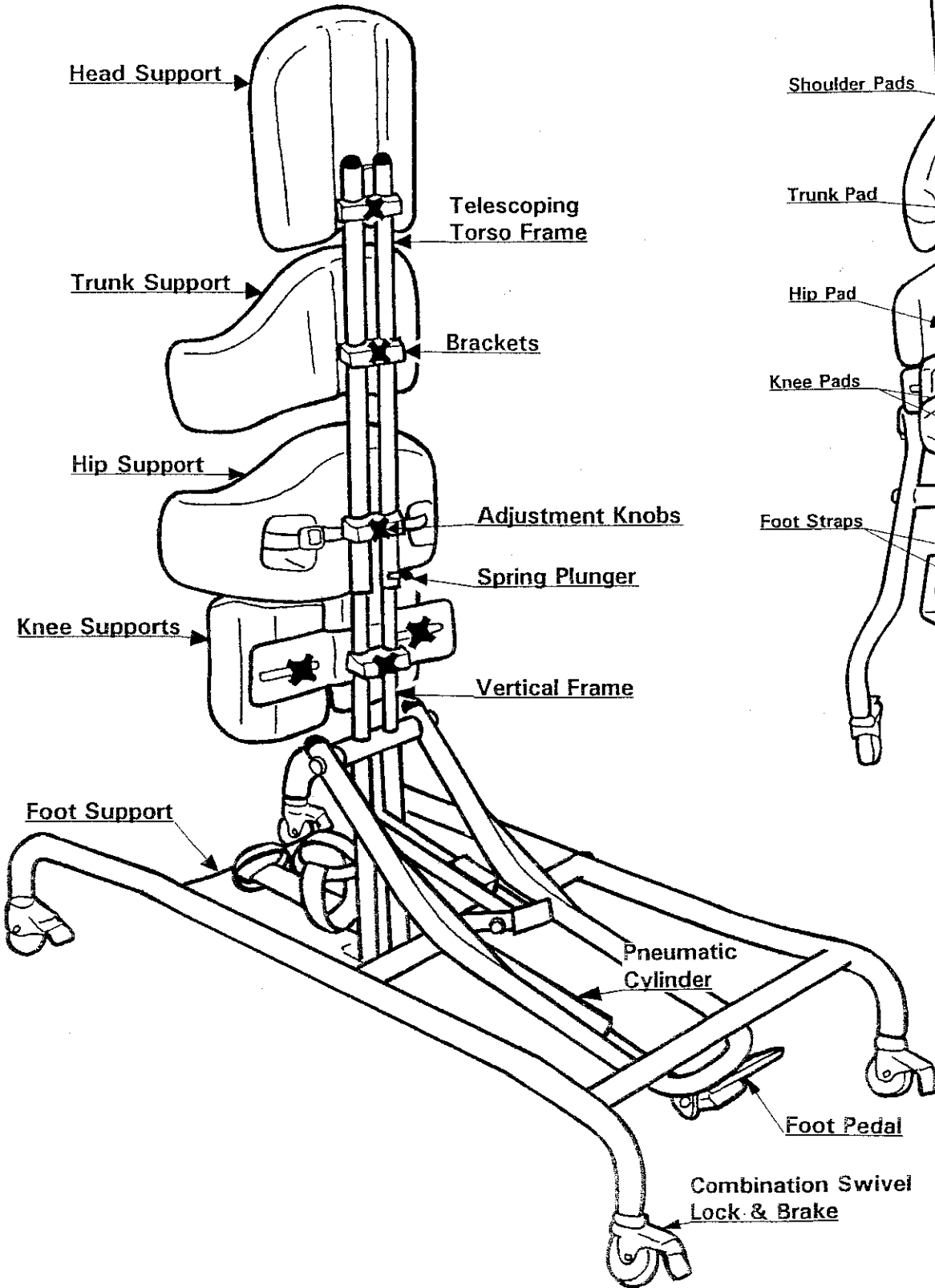
**Prone**

Instruction Manual  
Tristander 45 & 58

**Parts List  
 Tristander 45**



**Parts List  
 Tristander 58**



**Tumble  
Forms 2<sup>®</sup>**  
With Anti-Microbial  
Protection

**tristander<sup>™</sup>**

### Now Better Than Ever!

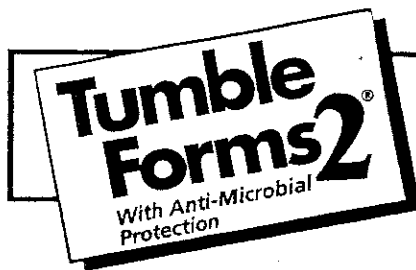
Tumble Forms 2 products with anti-microbial protection combine innovative design with superior craftsmanship to provide a high degree of durability, functionality, and attractiveness.

Built into the Tumble Forms 2 coating, the anti-microbial protection works from within to help prevent or inhibit odors and help prevent premature coating wear caused by harmful microorganism growth. It also provides an added degree of protection, helping you maintain cleaner, safer surfaces. It won't wash or wear off. Tumble Forms 2's coating continually works to maintain permanent anti-microbial action, helping Tumble Forms 2 products remain fresher, order-free and longer lasting for the life of the product.

Combining innovative design with superior craftsmanship, Tumble Forms 2 products are designed especially for children and adults with special needs. They provide maximum comfort and positive patient/caregiver reinforcement. Tumble Forms 2 are designed for versatility and durability.

3

- modular design
- therapists can creatively position clients in an infinite number of ways
- for use in home, school, or clinical settings
- designed for patients from toddler age through early adolescence-even adulthood
- reinforces proper positing during therapeutic activities
- unique, impermeable, non-stick, non-toxic seamless coating that is flexible and durable
- resists cracking or peeling over an extended period of time-waterproof, stain, solvent and urine-resistant
- high-density, shock-absorbing foam-retains it's shape even after long-term heavy use
- cleans easily with damp cloth and common disinfectants



### Safety Precautions:

In order to assure safe use of the Tumble Forms Tristander it is important to practice using the product and to read all instructions before standing the child. **The Tristander must always be used under adult supervision.**

Like all Tumble Forms products the Tristander is designed and tested for durability. However to make sure the product is in safe working order please periodically check the following.

- Are securing straps and support pads worn or damaged ?
- Do center release buckles lock securely ?
- Do spring plungers lock in every position ?
- Is the foot pedal held against the black bumper when not in use ?
- Do casters lock in both swivel and wheel rotation ?
- Does the pneumatic cylinder remain locked in any angle ?
- Do Hip, Knee, Trunk, and Head support parts lock in position by tightening adjustment knob and clamp ?

4

### Introduction

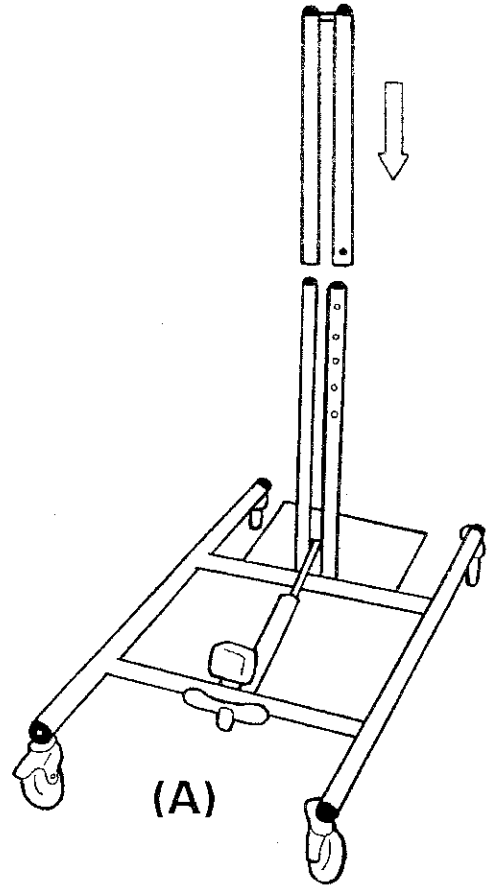
The Tristander 45 gives the therapist or care giver the opportunity to position children between 32"-45" tall (including shoes and any other adaptive equipment effecting height) and up to 70 Lbs. in one of three positions - prone, supine, or vertical standing. The Tristander 58 positions children between 43"-58" tall and up to 150 Lbs. This positioning system makes it easy for the therapist to experiment with alternative postures to find which one is most secure and comfortable for the young child. And, in centers where many children use one product the Tristander's versatility can accommodate their different positioning needs.

There are physical as well as psychological benefits to standing. Standing produces weight bearing on the feet which reduces abnormal muscle tone and allows the child to be in hip and knee extension. Weight bearing also stimulates bone growth. Standing frees the hands for activity and facilitates head righting. A very important benefit to standing is the ability to interact and socialize with others at peer level.

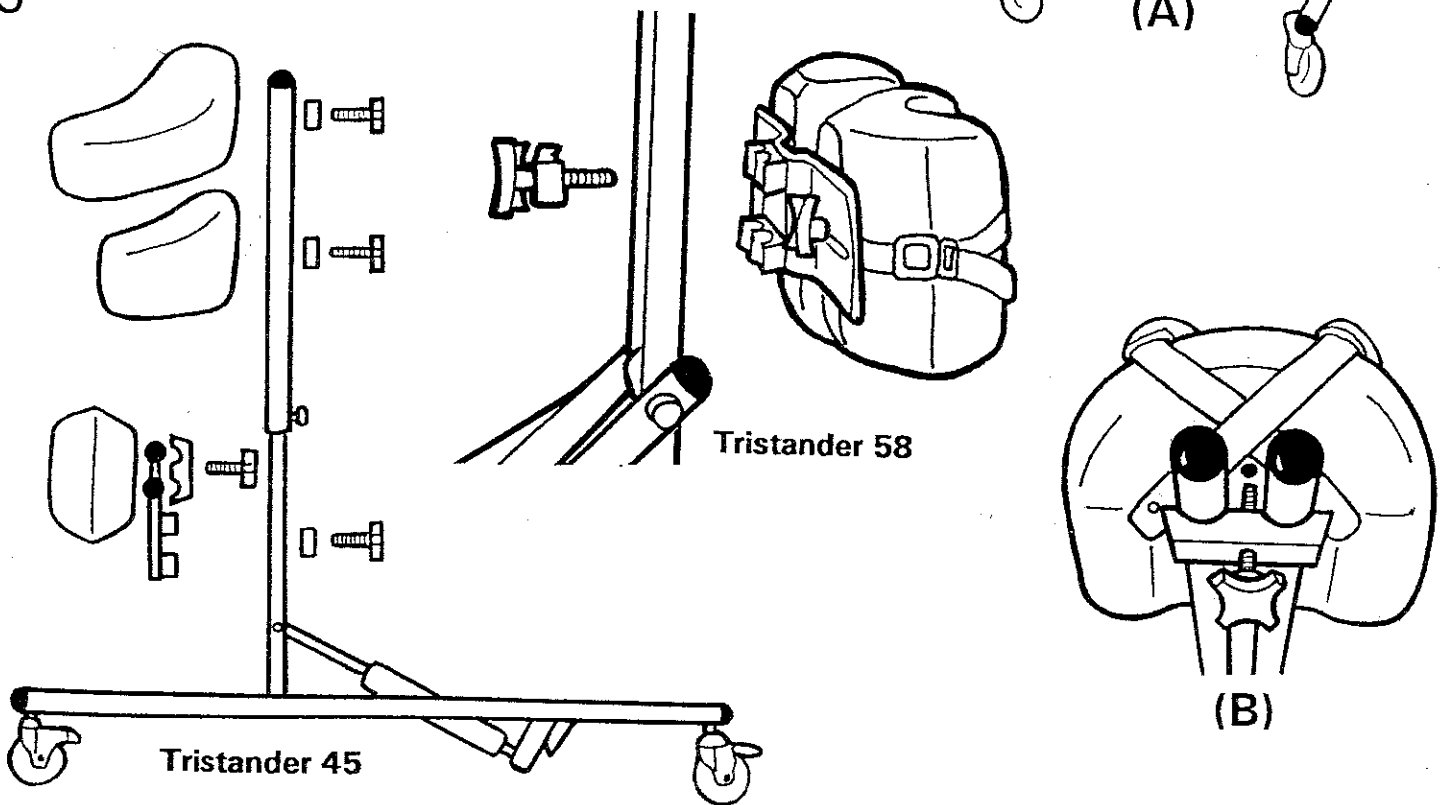
\* Practice using the foot pedal to become comfortable with its operation before actually placing a child in the stander. (See page 6)

**Assembly**

Only a small amount of assembly is needed before the Tristander can be used. First raise the vertical frame to an upright (90°) position by depressing the foot pedal. NOTE: Hold vertical frame while depressing foot pedal to prevent quick movement. (A) The torso frame is attached by pulling out the spring plunger and sliding it down the vertical frame.



5



The next step is to attach the knee, hip, trunk and head supports. (The head support (B) need only be attached when positioning the child supine or vertical.) The supports are attached by fitting the brackets on the torso and knee frames and screwing the adjustment knobs through the brackets and into the support pieces as illustrated. NOTE: The knee supports should be fastened with the vent holes facing down

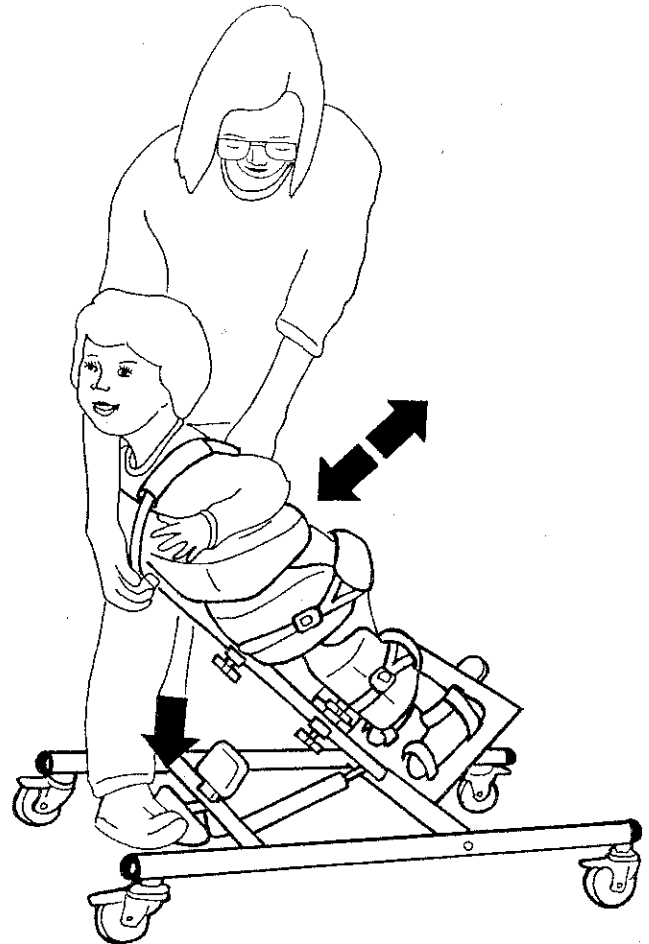
Before using the Tristander it is important to note the use of the special design features. These include the pneumatic cylinder assist, the combination swivel lock and brake casters and the center release buckles. Correct use of the stander will insure product safety.

## The Pneumatic Cylinder Assist

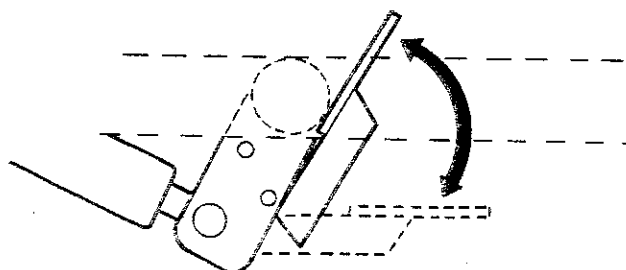
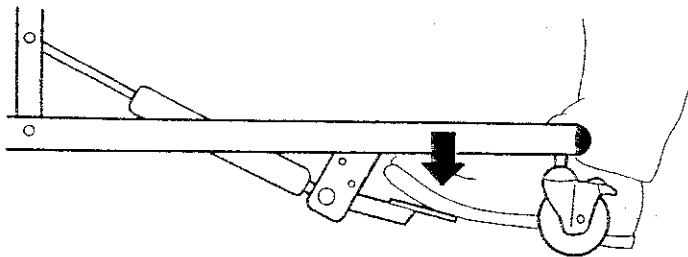
The Tumble Forms Tristander features a pneumatic cylinder assist which makes it easier for the therapist or caregiver to lift the weight of the child. The cylinder can also lock the angle of the stander in infinite positions between 15 and 90 degrees.

The lowest position of the Tristander (15°) is intended for transfer only. It is not a recommended position to maintain a child in for therapy or social interaction.

It is important to note that in order to avoid quick movement of the child in the Tristander the person adjusting the frame must support the weight of the child while the foot pedal is being engaged.\*



6



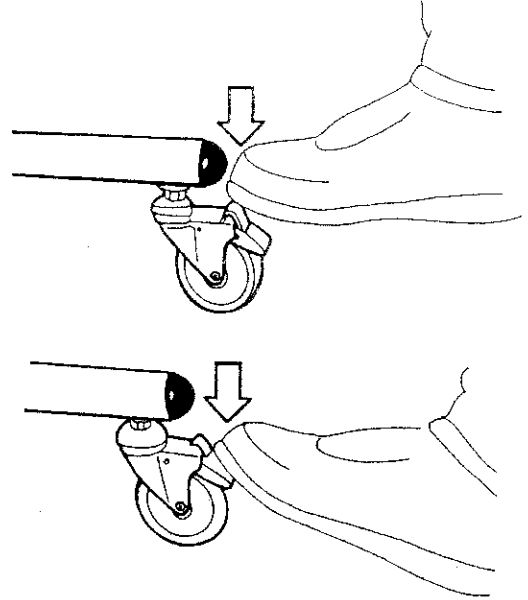
The therapist can change the angle of the stander by pressing on the foot pedal which releases the cylinder lock. Once the child is positioned in the desired angle and the foot pedal is released the cylinder will lock.

The foot pedal will automatically flip up after being released to prevent it from becoming accidentally depressed.

\* Practice using the foot pedal to become comfortable with its operation before actually placing a child in the stander.

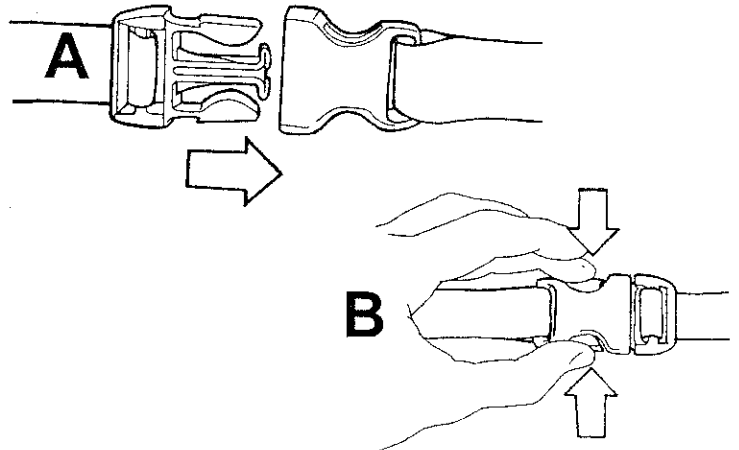
**Casters**

The Tristander has four combination swivel lock and break wheels. When the wheel lever on each is pressed with the foot the caster is unable to move. To stabilize the base and before placing a child in the stander make sure that all four casters are locked. To unlock the casters press the top lever with the foot.

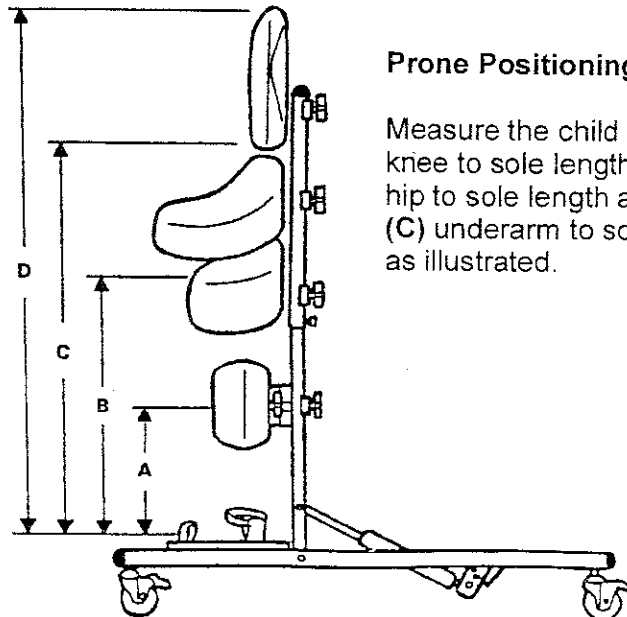
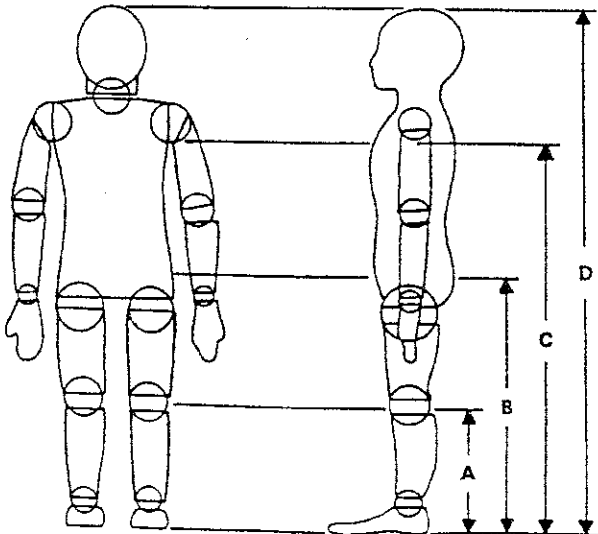


**The Buckles**

The side release buckles are used to fasten the support pads around the child to hold them in place. The buckles will "snap" into place if they are fastened (A). (Check to make sure they are fastened by pulling on the straps. To release press on both sides of buckle as shown (B).



7



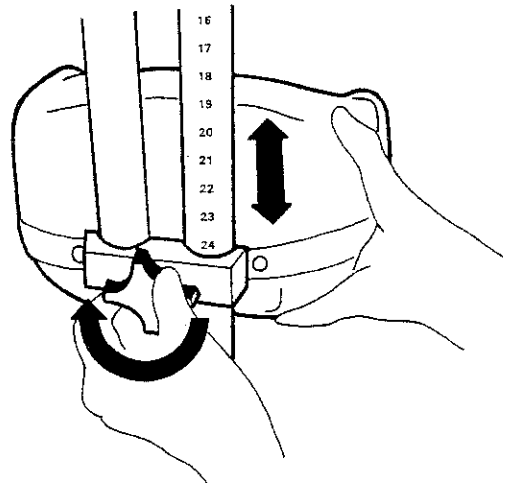
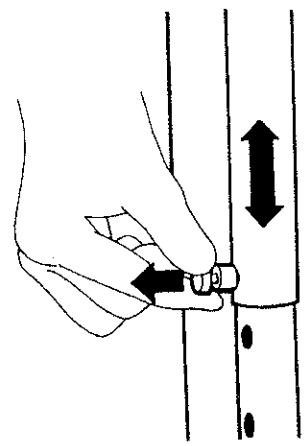
**Prone Positioning**

Measure the child at the (A) knee to sole length, (B) the hip to sole length and the (C) underarm to sole length as illustrated.



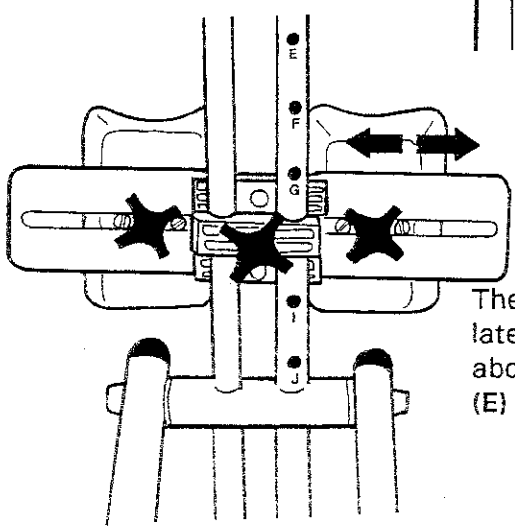
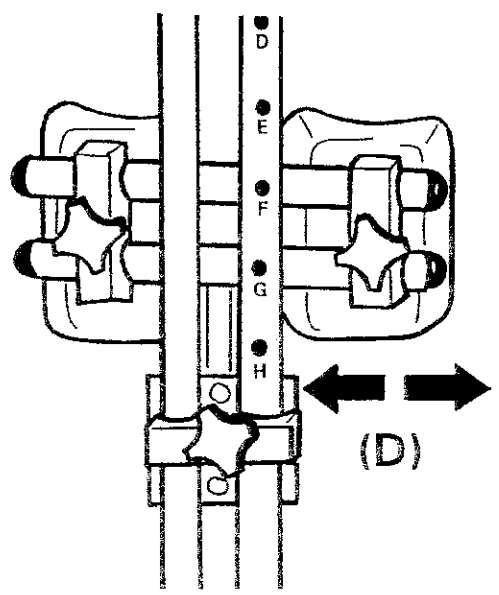
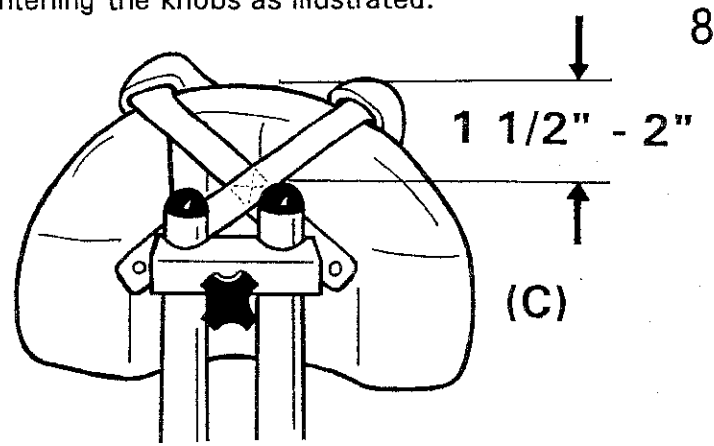
**Prone Positioning (cont)**

(A) Place knee, hip, and torso pieces at the correct position by adjusting the telescoping frame to the proper height. By releasing the spring plunger you can move the vertical support frame to the next opening. Release the plunger and the frame will lock into place.



(B) Move the support forms to the position that corresponds to the measurements that were taken of the child. NOTE: The numbers on the torso frame do not correspond to these measurements. They are there for the purpose of recording increments. (See page 9) The support forms can be adjusted along the torso frame by loosening the knobs at the back of the stander and sliding the brackets up or down and then tightening the knobs as illustrated.

(C) When positioning the child prone the torso piece should be fastened so the top of it is 1 1/2" to 2" inches above the tubular frame to prevent the child's chin from coming in to contact with the frame.

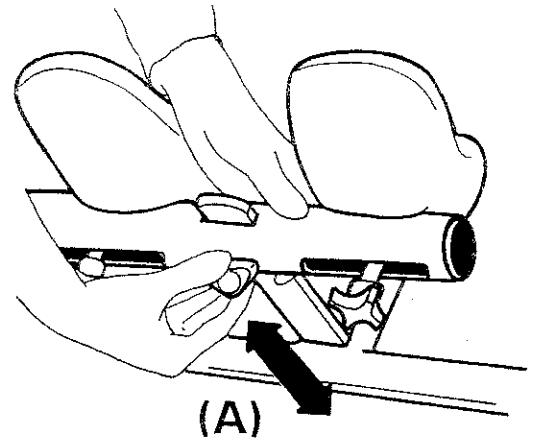


The knee supports can be moved laterally to provide for correct leg abduction. (D) Tristander 45  
(E) Tristander 58

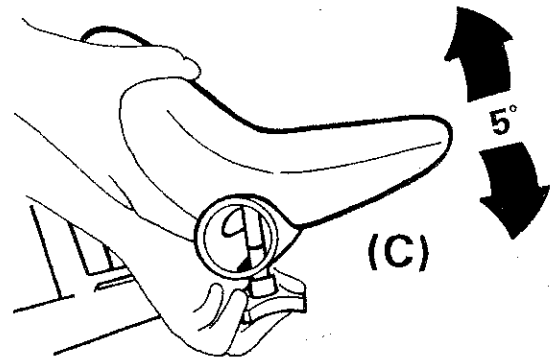
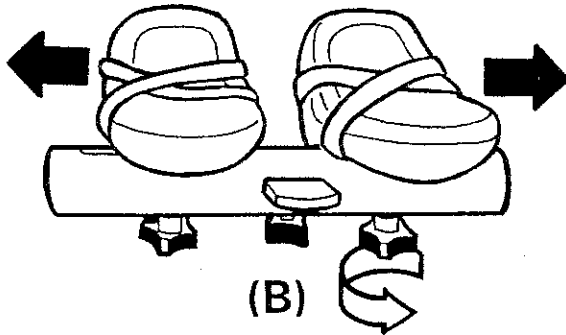
(E)

## Adjusting the Footrest For The Tristander 45

The foot rest can be adjusted three ways: (A) By loosening the knob underneath the bar and moving it forward or backward. (The foot support bar can be completely removed and turned around to accommodate positioning the child supine.) (B) By adjusting the knobs underneath each foot support they can be moved laterally. (C) They can also be tilted 5 degrees forward or backward to accommodate foot contractures.

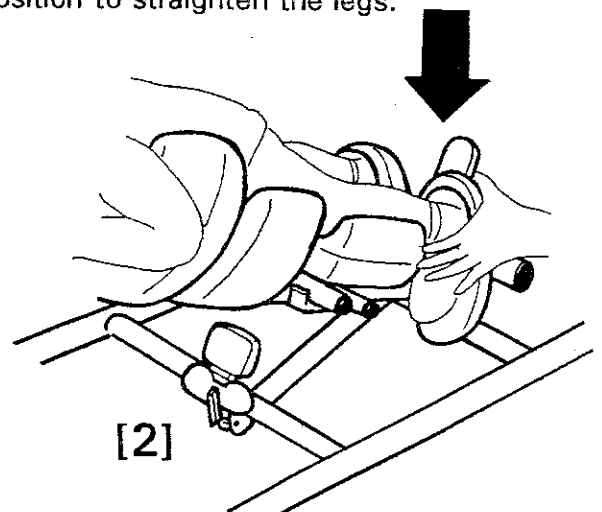
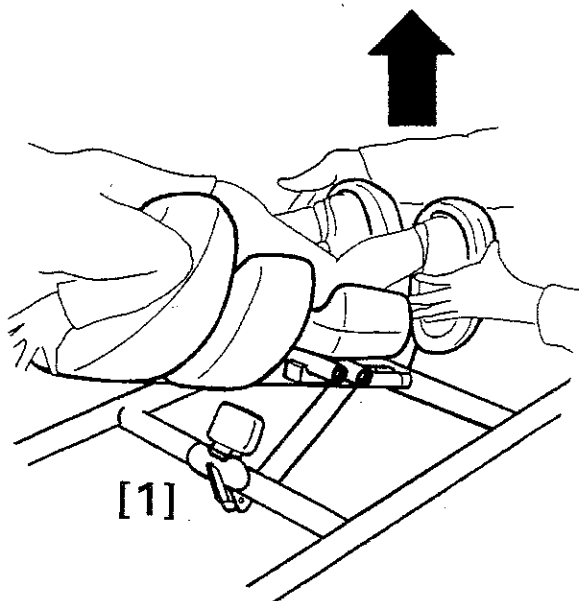


9



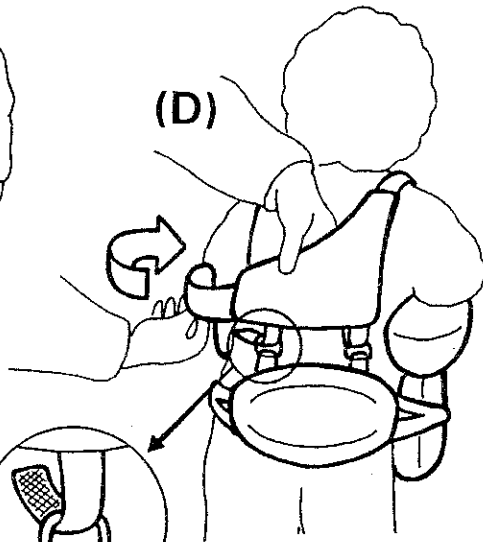
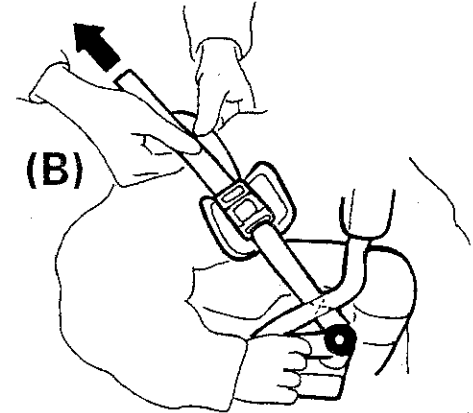
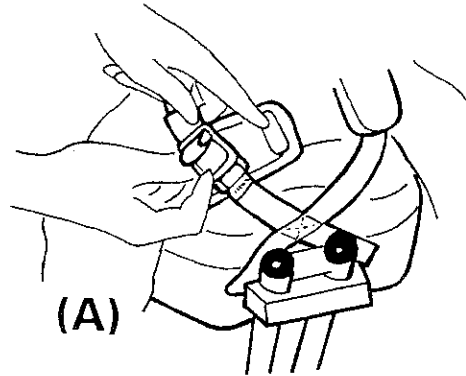
Once the parts are in place the stander can be inclined to the most comfortable angle to facilitate transfer of the child.

When transferring the child into the stander prone it is recommended that the footrest be (1) extended out to the end of the bar so the child's feet can be placed easily in the foot supports and then (2) moved forward and into position to straighten the legs.



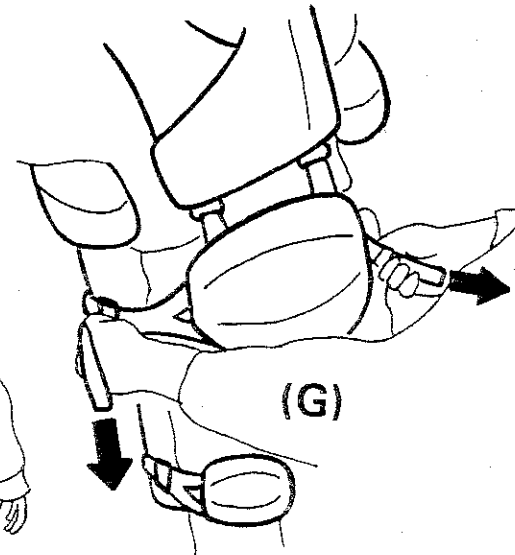
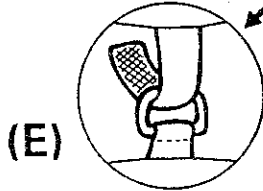
When the child is comfortably situated in the stander you can adjust the torso, hip, and knee pads around the child.

In order that the hip and chest pads fit correctly on the child you may need to adjust the strapping that is attached to the trunk support. (A) Loosen the strapping. (B) Adjust to appropriate length.



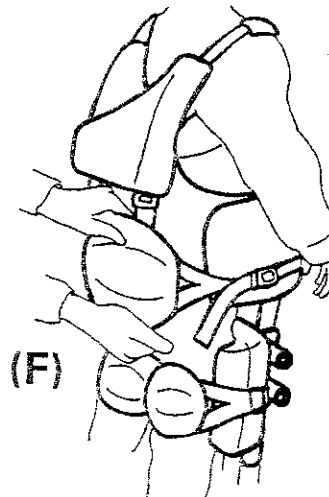
(C & D) Fasten the trunk pad securely against the child as shown. (E) To attach the hip pad to the trunk pad take the Velcro strapping connected to the trunk pad and slide it through the D-rings connected to the hip pad. Tighten as desired. Press Velcro together to secure.

10



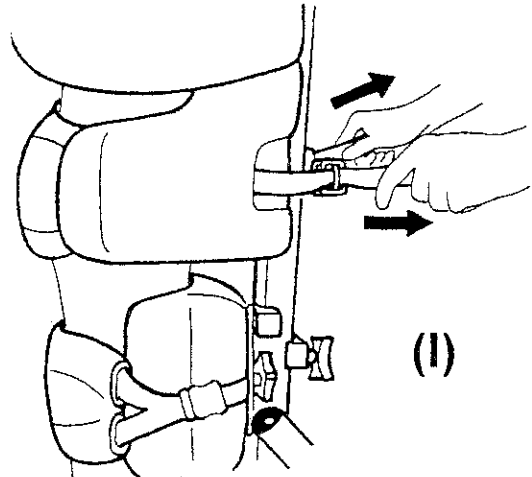
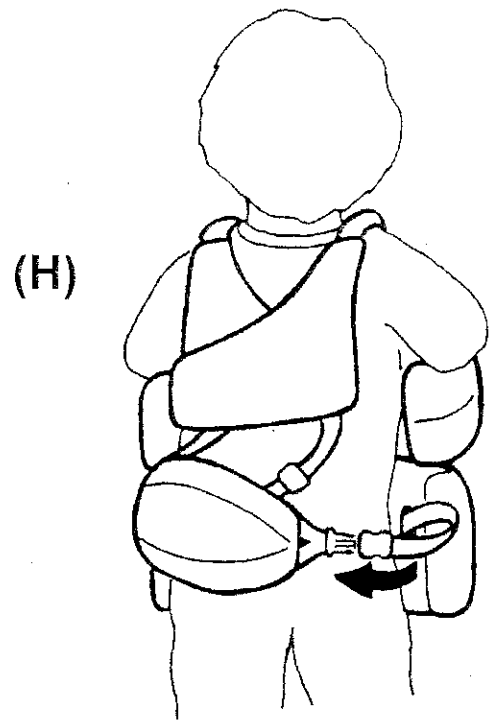
**Tristander 45**

(F & G) Position the hip pad firmly against the child's seat by pulling simultaneously on the straps on either side of the hip support

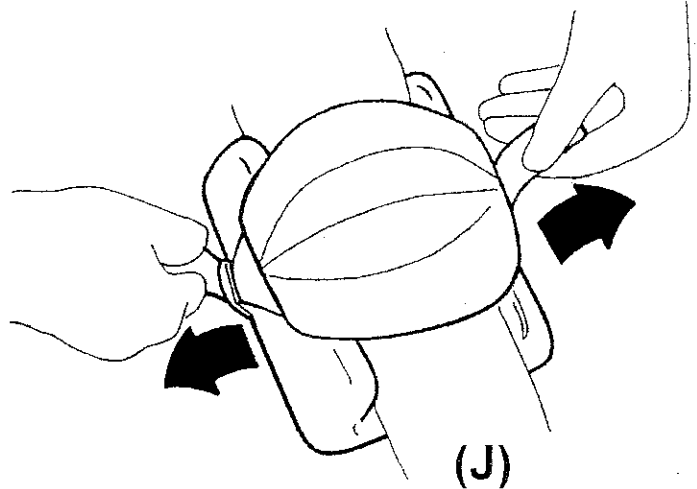


**Tristander 58**

(H) Connect hip strap buckle that has been pulled through slot opening to plug on hip pad. (I) Pull straight back on hip support straps to secure to child

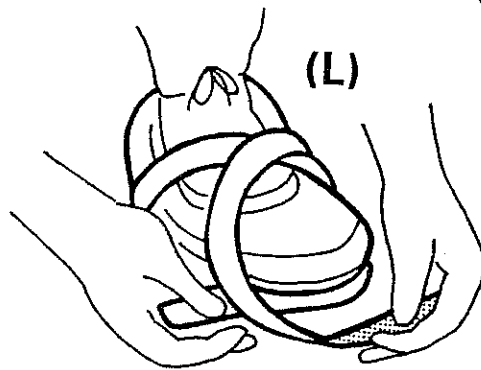
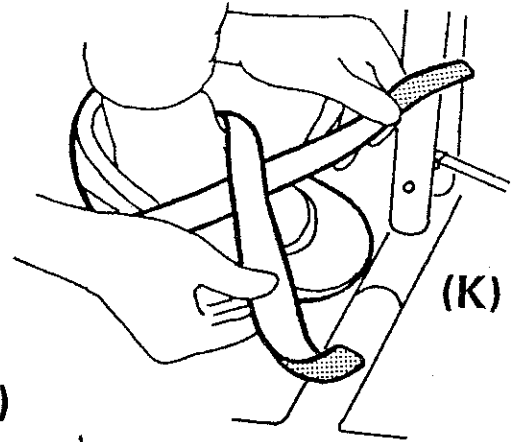


11



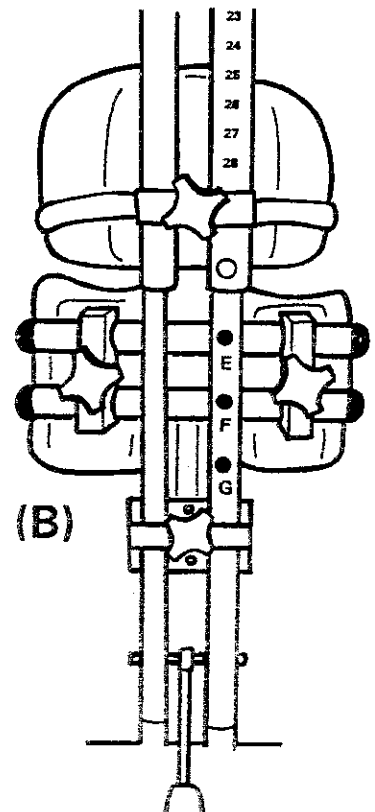
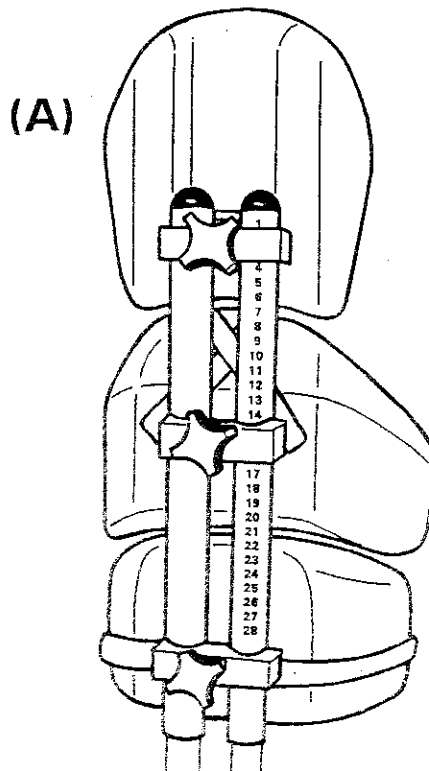
(J) The knee support forms are contoured slightly in the center to eliminate pressure on the knee caps. To secure the knee pads pull on both straps simultaneously.

(K & L) To Fasten the foot straps cross them over the top of the child's foot bring it around and underneath the foot support and attach the hook and loop ends of the straps together.



**Recording Increments**

Once the support forms are in place you can record their placement for future reference when positioning the child. The Tristander has two kinds of increment markings: **A)** numerical markings every 1/2" to show placement of support forms, and **B)** alphabetical under the holes for the placement of the telescoping torso frame.



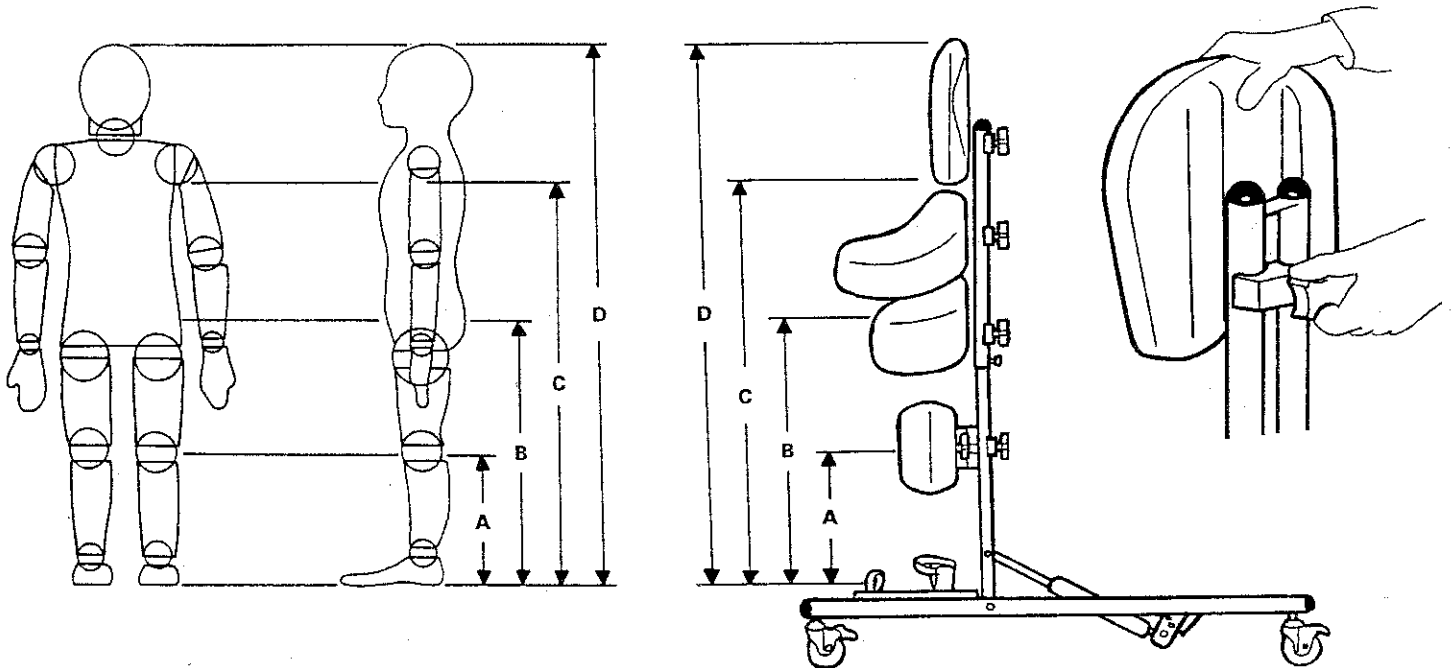
## Supine Positioning

When changing the Tristander from a prone position to a supine position some adjustments need to be made including adding the head support and reversing the foot support bar.

Measure the child at the (A) knee to sole, (B) hip to sole, (C) underarm to sole, and (D) head to sole as illustrated. Adjust the support pieces along the torso frame. Notice in the illustration that the telescoping torso frame needs to be extended beyond the torso support so there is enough allowance to fix the head support and bracket to the frame.

The footrest can be turned around for the supine position by unscrewing the knob underneath and removing the unit from the steel bar as illustrated with the Tristander 45 on page 9 (Figure A).

13

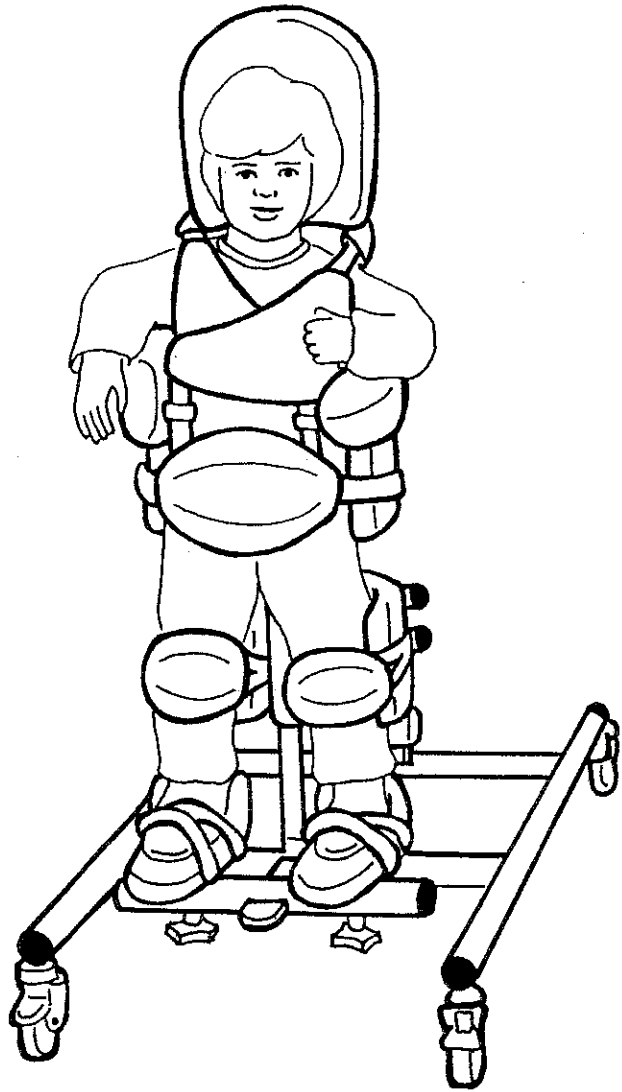


Once the adjustments are made the stander can be angled to its lowest position to facilitate placing the child in supine. Fasten the support pads at the chest, hip and knees as described for prone positioning.

Place the foot supports at the correct angle and secure the strapping. Raise the child to the proper angle and release the foot pedal. The stander frame is locked into position.

### Vertical Positioning

The Tristander can also act as a vertical standing frame for the child who is able to weight bear on the feet and has greater head control. By placing the child in the supine position at 90° the stander can act as a standing frame. The use of the head support in this position is optional. If the head support is removed the telescoping frame needs to be adjusted as illustrated on page 8 (Fig. C) so the back of the child's head does not come into contact with the frame.

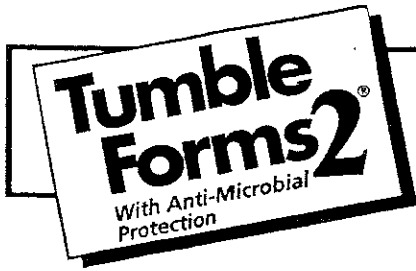


### Cleaning

To clean the Tristander support pads use mild detergent on gentle cycle. Tumble dry.

The Tumble Forms covering may be cleaned with household or industrial grade detergents, either liquid or abrasive powder types. Do not soak or immerse the cushion in water.

The Tumble Forms covering can be disinfected with alcohol or 3% hydrogen peroxide. It can be scrubbed clean with a nylon brush.



***Tumble Forms would like to give special thanks to the following Centers for their help in the development of the Tristander: Detroit Children's Center, Doris Klaussen Development Center, ENABLE, Herkimer BOCES, Lyle Torrent Center, UCP of Nassau County, UCP of Queens, Saratoga BOCES, and The Wishing Well Pre School. ☺***



Sammons Preston Rolyan  
4 Sammons Court  
Bolingbrook, IL 60440

Call toll free:  
**1-800-323-5547**  
In Canada call 1-800-665-9200

Fax toll free:  
**1-800-547-4333**  
In Canada fax 1-905-566-9207



Authorized European Representative:  
Homecraft, Ltd.  
Shelley Close, Lowmoor Road  
Industrial Estate, Kirkby-in-Ashfield, Nottinghamshire, NG 17 7ET, UK  
Telephone: 44 1623 759146 Facsimile: 44 1623 726886

