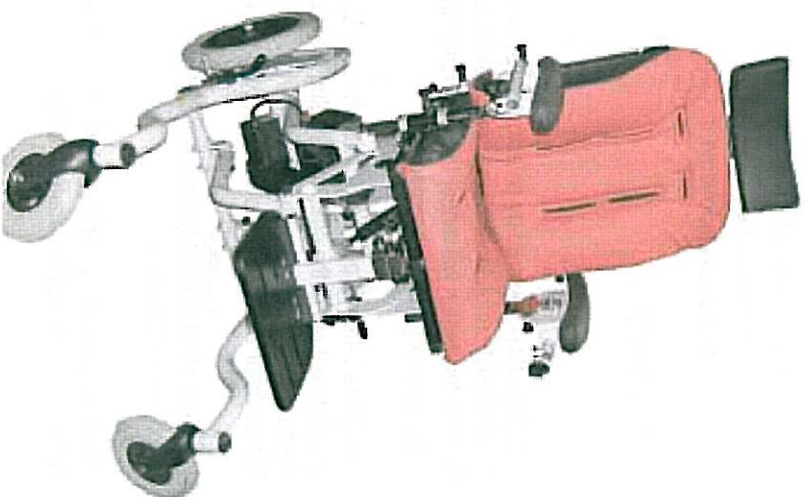


Users Guide



G & S Smirthwaite Ltd
14-16 Wentworth Road,
Heathfield,
Newton Abbot,
South Devon
TQ12 6TL

www.smirthwaite.co.uk
e: enquires@smirthwaite.co.uk
t: 01626 835552
f: 01626 835428



10 Care & Cleaning

The Jive is robust and if cared for, should offer the user long term comfort and support. The base is manufactured in painted steel. The paintwork will chip (like a car) if the Jive is in contact with sharp or hard objects.

Take care to use a damp cloth when cleaning the covers and do not use bleaches or abrasive cleaning agents. The actuator is greased, **DO NOT** remove this lubricant.

Battery Charging & Safety

Battery Charger

Your seat had been supplied with the batteries charged so that you can start using your new seat straight from the box. The batteries are charged through the handset using the charger provided.



You can leave the batteries to charge overnight at 1-2 month intervals. You can **NOT** damage the batteries by overcharging.

EMERGENCY STOP

1. The stop button must be turned clockwise and pulled out to allow the actuator to be powered
2. If for any reason you need to STOP the powered seat during use, hit the Emergency stop button (by pushing it)
3. To reset the STOP button repeat step 1.

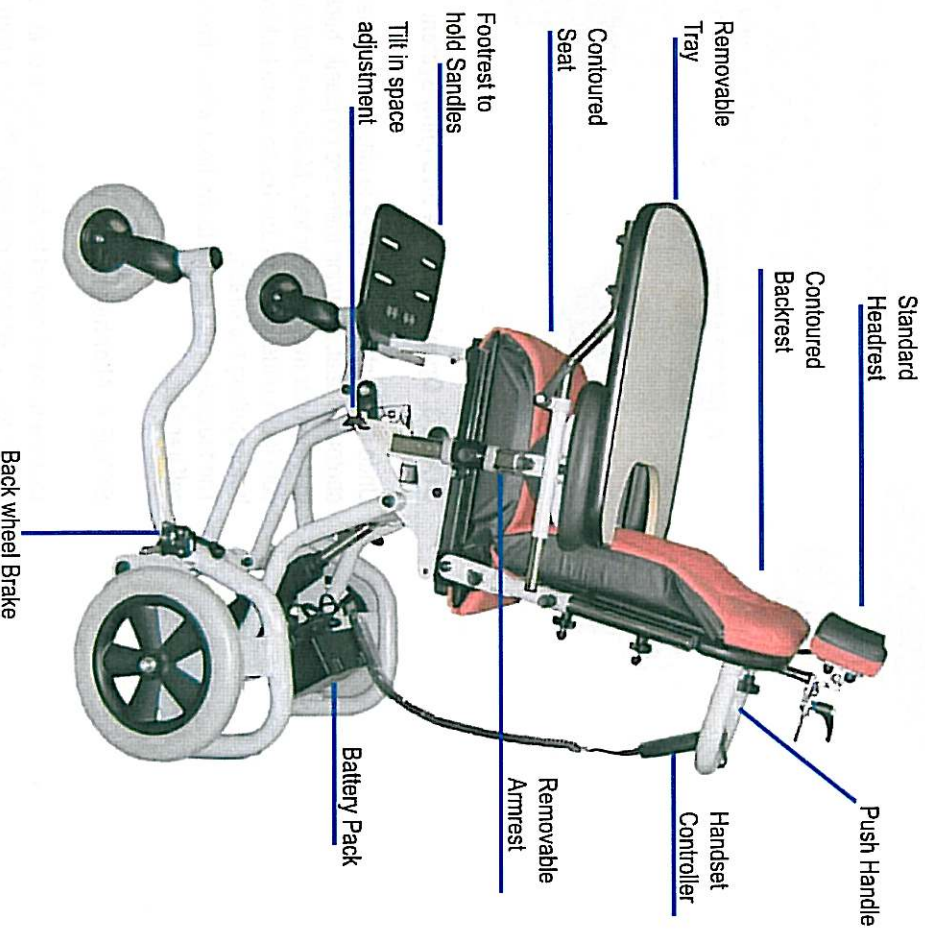


Stop Button

3 Read Me First

Congratulations! You are now the owner of the Jive seating system.

Please spend a few minutes familiarising yourself with the Jive and some of the basic components.



Adjusting the Jive

If a child is in the Jive, before attempting to adjust the seat angle or backrest recline, you **MUST** use the Midline Strapping System to secure the user.

Prone Angle Seating/ Tilt in Space

The release lever for the prone and recline gas strut is located under the front of the seat. There is a safety latch which stops accidental operation of the lever.

Release Lever



To adjust the prone or recline of the Jive; grip the push handle with the right hand to maintain control of the chair. Lift the safety latch with the left hand and slide the release lever forward. The chair can now be moved to the required position. Release of the lever locks the seat in the new position. NB if a child is in the seat, take extra care

Safety Latch

NB if a child is in the seat, take extra care

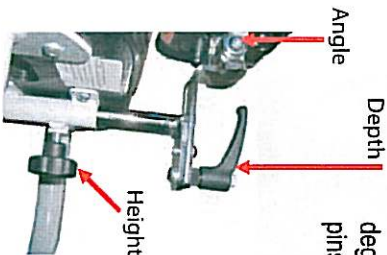
Backrest Recline

The backrest can be easily reclined by pulling and turning the plunger pins, located to the rear of the chair, through 90 degrees. Positions of the recline vary from 85 to 110 degrees. Ensure the plunger pins re-engage fully.



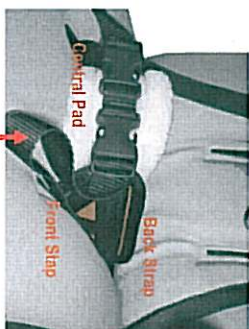
Headrest Adjustment

Angle Adjustment- Undo side bolts using allen key, angle as required and re-tighten.
Depth Adjustment- Release lever handle, slide to position required, and re-tighten.
Height Adjustment- Turn knob anti-clockwise, position as required, and re-tighten.



Securing Lapstrap

Push the front webbing straps through the slots in the seat, then pull through and feed into camlocks under the seat base. The rear straps go under the backrest and feed into the lower camlocks on the back. Pulling straps on either side of central pad allows for fine adjustment.



Webbing Strap

Securing Chest Harness

Push the front webbing straps through the slots in the backrest and feed into the camlocks on the chest harness plate (see detail A over) pulling the straps on either side of the central pad allows for fine adjustment.



Securing Shoulder Harness (optional)

If required a shoulder harness can be used to increase the level of support. Feed the top straps through top slots on the backrest and secure into camlocks on top of the backrest. Attach the existing side strapping pads. Pulling on the straps on either side of the shoulder harness allows for fine adjustment.

